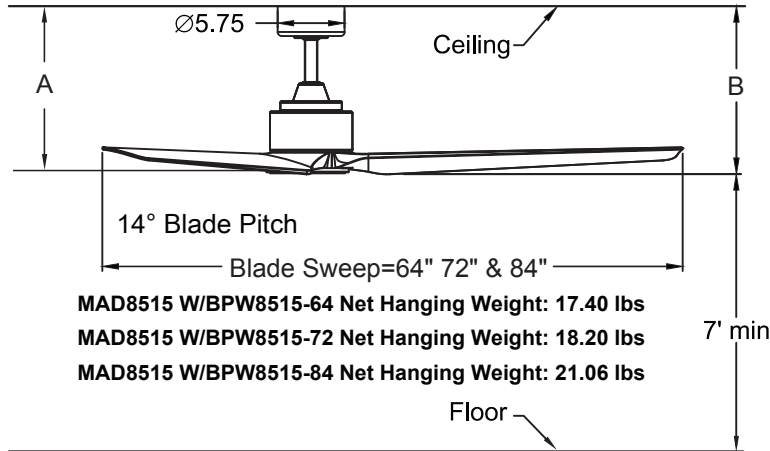


TRIAIRE™ CUSTOM



MAD8515
Motor Asm**



Available Finishes	
BLW	Black
DZW	Dark Bronze
GRW	Matte Greige
MWW	Matte White
SLW	Silver

	A	B
Fan w/8" downrod	15.92"	16.42"
Fan w/12" downrod	19.92"	20.42"
Fan w/18" downrod	25.92"	26.42"
Fan w/24" downrod	31.92"	32.42"
Fan w/36" downrod	43.92"	44.42"
Fan w/48" downrod	55.92"	56.42"
Fan w/60" downrod	67.92"	68.42"
Fan w/72" downrod	79.92"	80.42"

INSTALLATION REQUIREMENTS:

Fan must be attached to a securely anchored electrical junction box capable of withstanding a load of at least 35 lbs.

ELECTRICAL REQUIREMENTS:

Requires a grounded electrical supply line of 120 volts AC, 60 Hz, 15 amp circuit.

MOTOR SPECS:

153 x 25 FS sensorless DC motor is designed for optimal optimal performance with this fan.

BLADES:

3 bladed blade sets are available in plastic materials— all sold separately. See our catalog or visit www.fanimation.com for blade options.

CONTROL OPTIONS:

TR205D hand-held remote control is included. Push button remote control with variable fan speeds, fresh air, reverse, infinite light levels, fan/light timer, home away, safe exit and off button. Optional TW206D wall control and WFR8515 WiFi receiver are available— sold separately. Instructions are provided with each control.

LIGHTING OPTIONS:

LK8514- One 18-watt dimmable LED.

DOWNROD OPTIONS:

Fan comes with a 1" dia. x 8" long downrod (DR1SS-8). Optional downrods are available in 12", 18", 24", 36", 48", 60" and 72" lengths. A downrod coupler is available for installations requiring a downrod longer than 72". The fan can be mounted on a sloped ceiling up to 27°. Optional sloped ceiling ball kits (SCB1-52) are available for slope angles greater than 27° and up to 42°. Optional close-to-ceiling kit is available as well—sold separately. Call technical support for more information.

LOCATION USE:

Fan is rated for dry, damp and wet locations.

Airflow / Energy Efficiency Info					
Energy Star test with BPW8515-84 Blade in 84" sweep					
Fan Speed	Max RPM	CFM	CFM / Watts	Amps	Watts
High	100	10387	342	0.43	30
Med	66	6891	757	0.14	9
Low	28	1734	723	0.05	2

Energy Guide FTC			
Measured with BPW8515-84 Blades in 84" sweep			
Power (W _{ave})	Total Air Delivery (CFM _{ave})	Estimated Yearly Energy Cost (\$)	Ceiling Fan Efficiency (CFM/W)
21	7827	6	378