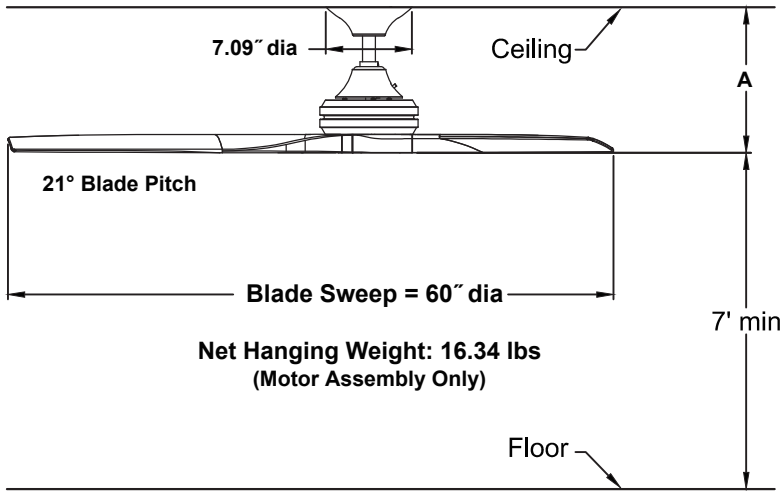


**SPITFIRE™**

# MA6721\*\* Ceiling Fan



	<b>A</b>
Fan w/4.5" downrod	12.00"
Fan w/12" downrod	19.50"
Fan w/18" downrod	25.50"
Fan w/24" downrod	31.50"
Fan w/36" downrod	43.50"
Fan w/48" downrod	55.50"
Fan w/60" downrod	67.50"
Fan w/72" downrod	79.50"

<b>Available Finishes</b>	
BN	Brushed Nickel
BL	Black
BS	Brushed Satin Brass
DZ	Dark Bronze
DF	Drift wood
GR	Matte Greige
GZ	Galvanized
MW	Matte White

### INSTALLATION REQUIREMENTS:

Fan must be attached to a securely anchored electrical junction box capable of withstanding a load of at least 35 lbs.

### ELECTRICAL REQUIREMENTS:

Requires a grounded electrical supply line of 120 volts AC, 60 Hz, 15 amp circuit.

### MOTOR SPECS:

188 x 25 AC motor is designed for optimal performance with this fan.

### BLADE SET:

3 bladed blade sets are available in wood material — all sold separately. See our catalog or visit [www.fanimation.com](http://www.fanimation.com) for blade options.

### LIGHTING OPTIONS:

LK6721 – One 18 watt dimmable LED.

### CONTROL OPTIONS:

BTT9 bluetooth hand-held remote control with wall mount is included. Push button remote control has 3 fan speeds, infinite light levels and off button. Optional CW1, CW1SW, CW2, CW5, C25 and CW60WH wall controls and CRL4WH, CRL8TS remote controls with receiver unit and TR24WH hand-held remote are available—sold separately. Instructions are provided with each control.

### DOWNROD OPTIONS:

Fan comes with 1" dia. x 4.5" long downrod (DR1-45). Optional downrods available in 12", 18", 24", 36", 48", 60", and 72" lengths. A downrod coupler is available for installations requiring a downrod longer than 72". Fan can be mounted on a sloped ceiling up to 19°. Most sloped ceiling installations require a downrod longer than the standard 4.5" downrod. Optional sloped ceiling kits (SCK1-52) are available for up to 42°. Call technical support for more information.

### LOCATION USE:

Fan is rated for dry and damp locations.

<b>Airflow / Energy Efficiency Info (120V)</b>					
Fan Speed	Max RPM	CFM	CFM / Watts	Amps	Watts
High	130	6641	108	0.52	61
Med	98	4614	128	0.40	36
Low	54	2433	175	0.25	14

<b>Energy Guide FTC</b>			
Power (Watt)	Total Air Delivery (CFMave)	Estimated Yearly Energy Cost (\$)	Ceiling Fan Efficiency (CFM/W)
41	3776	\$ 12	92