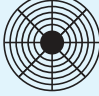





Bianca Direcional

	Safety cages available for low ceilings.
	Suitable for Damp Location **
	Compatible with Downrod Light Canopy
	U.S.A. Components and Labor



Shown in Brushed Nickel with metal blades and decorative cage



shown in Black with wood blades

The blades of the Bianca Direcional ceiling fan can be infinitely positioned in a 180-degree arc to provide maximum, directional airflow. The Bianca can be hung in small, awkward spaces or in front of HVAC ducts to make more efficient the heating, ventilation or air conditioning of any room. The Bianca is available in these standard finishes: polished chrome, brushed nickel, polished copper, bronze or black. White, brushed copper, polished brass, brushed brass, black nickel and bronzette are available as special orders. Bronzette, incidentally, is our monochromatic powder-coated bronze finish.

- Constructed of cast aluminum, heavy spun and stamped steel, the Bianca carries a limited lifetime warranty.
- Each unique motor mount and fan head knob is made of genuine marbled Bakelite.
- The Bianca is available with the following blade options:
 - metal blades with decorative metal blade guards
 - solid, ecologically harvested mahogany blades without blade guards
 - metal blades with metal safety cages for use in low ceiling applications (7 ft in US / 8.2 ft in Canada)

Standard Finishes

bronze	brushed nickel	black
polished chrome	polished copper	

Special Order Finishes

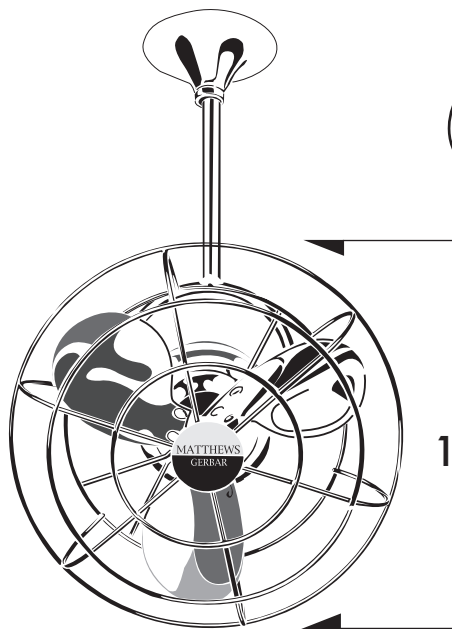
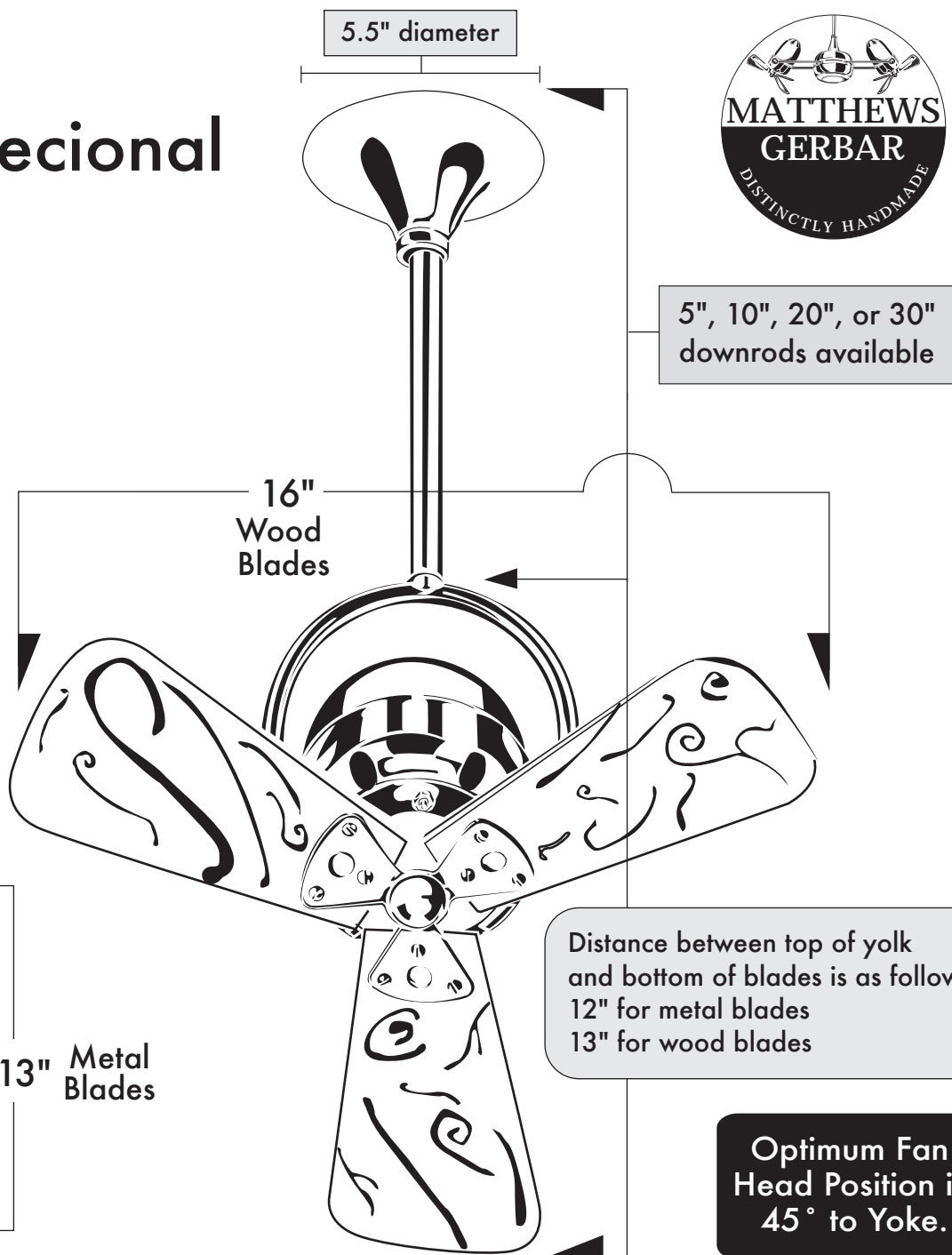
polished brass	black nickel	brushed brass
brushed copper	white	bronzette

MATTHEWS

FAN COMPANY

Bianca Direcional

weight: 7 lbs
voltage: 110*



13" Metal Blades

Distance between top of yoke and bottom of blades is as follows:
12" for metal blades
13" for wood blades

Optimum Fan Head Position is 45° to Yoke.

The Bianca Direcional can be mounted with any one of the following downrod lengths: 5, 10, 20 or 30".
• The downrods can be easily field cut; they are not threaded.

The Bianca is not compatible with the vaulted ceiling canopy.

All fans best regulated by variable speed wall controls.

Metal bladed fans with protective powder or clear coatings are suitable for Damp Location.

Safety cages available for low ceiling applications.

*Please contact us for possible 220V conversions

**Damp location with powder or clear coat only.

Not recommended for salt water / ocean front applications.



**Damp Location